



NIGHT VISION

INSTRUCTION MANUAL

NVB212 PRO

Amstech Incorporated
340 Dewpoint Lane
Alpharetta, GA 30022 U.S.A.
Tel: +1-770-840-8039 Fax: +1-770-840-0269
Email: aimshot@aimshot.com

North America Distributor
Osprey International, Inc.
1124 Tennessee Street, Suite 101
Cartersville, GA 30121
Fax: +1-770-387-0114
Customer Service: +1-770-387-4342
Email: sales@miniosprey.com

Made in Belarus
Packaged in the USA

0413



Table Of Contents

Important Instructions	Page 2
Introduction	Page 3
Specifications	Page 4
Description	Page 5
Operational Tips	Page 7
Pre Operation	Page 7
Operation	Page 9
Acceptance Certificate	Page 10
Trouble Shooting	Page 11
Warranty Information	Page 12

Please read this entire manual prior to operation of this device

Important Instructions

Read all instructions prior to operation.

Do not use these binoculars in daylight with the lens cover removed, damage may occur to the unit.

Avoid aiming these binoculars towards bright light sources.

Keep the binoculars out of direct ingress of water.

Do not attempt to disassemble this device - the warranty will be voided.

If any problems occur contact the manufacturer.

Use only a damp cloth to clean the housing and lens tissue to clean the optics.

Always handle with care, avoid shocks, dust and debris.

If your NVB212 PRO are not working properly, please use the following trouble shooting tips.

Introduction

Thank you for purchasing the NVB212 PRO night vision binoculars.

The following items should be included in the binoculars package:

- NVB212 PRO Night Vision Binoculars
- Carry Case
- Manual

Different lenses can be installed (see page 10).

The NVB212 PRO night vision binoculars designed for multipurpose night observations. The NVB212 PRO is based on two residual Gen.1 image intensifier tubes. Please avoid aiming at bright light sources for prolonged periods.

(3)

Warranty

The manufacturer warrants its product to be free of defects in material and workmanship for the duration of the warranty period. If the product proves to be defective in material or workmanship during the warranty period, the manufacturer will at its sole option repair or replace the product with a like product.

The NVB212 PRO warranty period is 1 year from the date of purchase by an end user.

The warranty is only valid for the purchaser and is nontransferable.

The warranty does not cover any product on which the serial number has been defaced, modified or removed.

The device is to be kept in a case in dry heated and ventilated room with relative air humidity up to 80% under temperature from 5° to 30°C. Damage, deterioration or malfunction resulting from accident, misuse, neglect, modification of the NVB212 PRO, acts of nature, or failure to follow instructions supplied with the product.

This warranty will be voided if the NVB212 PRO have been disassembled in any way.

(12)

If your NVB212 PRO are not working properly, please use the following trouble shooting tips.

No Picture:

Check to make sure that the power knob is pressed.
 Check to see that the lens cover is off.
 Replace the batteries.

Dark Picture:

Replace the batteries.
 Low ambient light level.
 Move into higher ambient light.

Black Spots:

Normal for all night vision and does not effect viewing or performance.

(11)

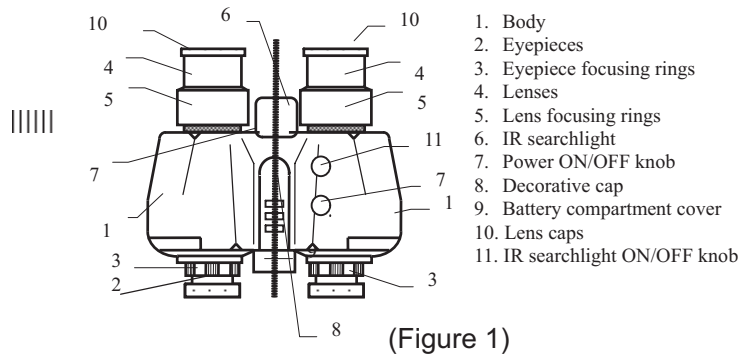
Specifications

Lenses	F80/1.6	F64/1.5	F50/1.2	F35/1.0
Magnification	3.5 X	3 X	2.2 X	1.5 X
Field of view	12°	15°	20°	30°
Focal length adjustment	± 4 D			
Eye-distance, mm	64±5			
Man detecting range (1/4 moon), m	320	270	220	180
Power supply	3 V (2 x LR1 type battery)			
Battery life (IR off), h	30			
Dimensions, mm	190×122×58	180×122×58	169×113×58	156×113×58
Weight	0.83	0.95	0.8	0.7

(4)

Description

A general view of the NVB212 PRO



(Figure 1)

(5)

ACCEPTANCE CERTIFICATE

NVB212 PRO Lenses F80/1.6 F50/1.2

F64/1.5 F35/1.0

Night Vision Binoculars

Serial # _____

Stamp Production date _____
 QC Representative _____
 Date of sale _____

(10)

Operation

- Switch on the NVB212 PRO by pressing knob (7) (Fig. 1).
- Aim the NVB212 PRO safely at an object. Adjust focus rings (3) and (5) (Fig.1)
- Press knob (8) (Fig. 1) to switch on the IR searchlight in night-time.
- Switch off the NVB212 PRO when finished with operation.

Always place the lens caps back on the unit prior to storage to protect the objective lens.

(9)

Description

- The NVB212 PRO body (1) contains image intensifier tubes.
- Wide-angle eyepieces (2) are installed to get 64 ± 5 mm eye base range without the eyepieces shifting.

(6)

Operational Tips

Never turn the NVB212 PRO on in daytime without the lens caps attached to the front lenses, damage may occur to the image tube if it is exposed to bright light sources.

Prior To Operation

Battery Installation:

Check the lenses caps to make sure they are attached.

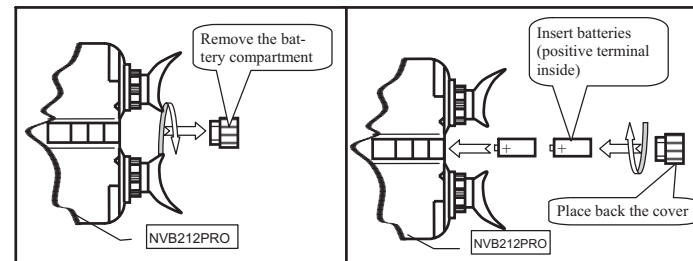
Remove the battery compartment cover (10) (Fig.1)

Install batteries LR1 type into the compartment and replace cover (Fig. 2).

Check Operation

Once pre operation is complete test the unit in a lit room with the daylight caps attached.

(7)



(Figure 2)

(8)