

**PISTOL GREEN LASER/FLASHLIGHT
WITH UNIVERSAL DUAL MOUNT SYSTEM**

Mounting:

Two mounting options are available for the LS8268. Rail mounting is recommended if your pistol is equipped with a standard rail under the front of the barrel. Trigger guard mounting will work with just about any pistol.

Rail Mounting:

1. Locate the two rail mounting clamps included with the LS8268. The clamps will have the screw hole slightly off center. This will enable you to choose the best fit for your pistol.
2. Using the long screw included with the clamps, insert it through the clamp with the larger hole and screw in a couple turns into the other clamp. Be sure the 'teeth' of the clamps are facing each other.
3. Place the clamps around the rail of your pistol, then place the top rail of the LS8268 between the clamps. Choose the section of the rail on the LS8268 that will allow the LS8268 to be as far back as possible.
4. While holding the LS8268 parallel to the barrel, tighten the clamp screw. Your sight is now mounted.

Trigger Guard Mounting:

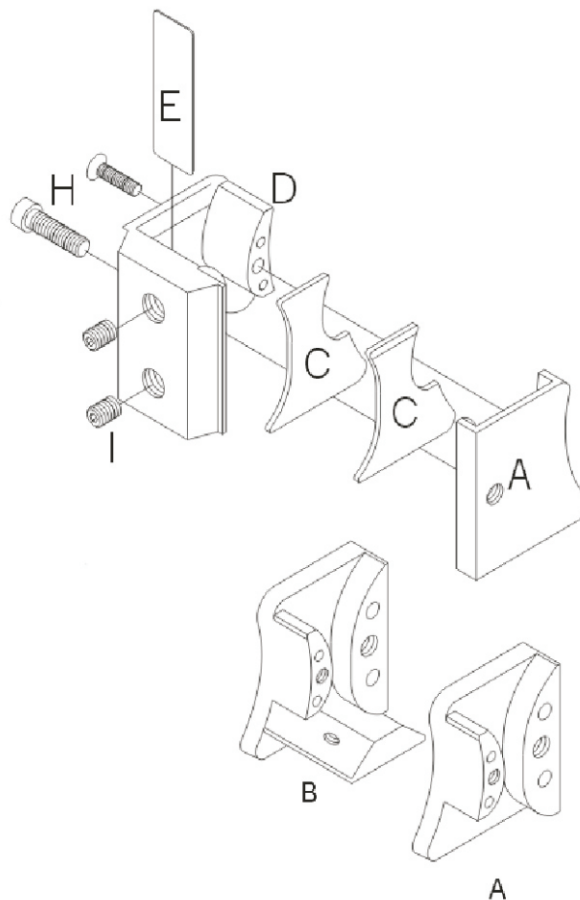
1. First determine whether you have a round (A) or square (B) trigger guard. Then install shims provided (C - refer to table) as needed to tighten the mount onto the trigger guard. Some models, such as Glock and Sigma, do not require any shims. Always install shims with number facing outward.
2. Clamp the mount pieces (A & D) around the trigger guard and secure using screws provided (H). Do not over tighten screws. Then slide the steel shim (E) between the mounting bracket and trigger guard to keep from marring gun. Now, insert allen screws (I) back towards trigger, again being careful not to over tighten so as to keep the mount square with the gun barrel.
3. Use the shorter clamp piece and screw provided to secure the rear side of the LS8268 to the mount (D). Slide the LS8268 up as close to the barrel as possible and tighten the screw. Your sight is now mounted.

Operation:

1. The on/off button on the left side of the LS8268 labeled 'L' operates the Green Laser.
2. The on/off button on the right side of the LS8268 labeled 'F' operates the LED Flashlight. The flashlight focus is not adjustable.

Alignment:

Unscrew the lens cap and locate the four adjustment screws. Loosen two screws across from each other before tightening. Avoid over tightening to prevent stripping screws. Use the adjustment screws to aim your laser sight.



Note: When inserting the shims, there is a corresponding shim on each side of the trigger guard.

Handgun	Shim #	Handgun	Shim #
Baby Eagle	4 & 5	FEG GKK	1
Beretta 92/96	3 & 4	FEG P9R	2 & 4
Browning HP (Belgium)	1 & 3	Glock all	None
Browning HP (Portugal)	1 & 4	H&K P7/M8/M13	1 & 4
Colt 1911 s	6	H&K USP	1
Colt 1911 A1	1 & 3	Intratec Cat 45	None
Colt D. Eagle	2 & 3	Mtn. Eagle	1 & 4
CZ 75 Rnd	1	Ruger P85	1
CZ 85 Sqr			
CZ 75 Sqr	1 & 4	Ruger 94	3
CZ 52	1, 2 & 4	S&W s all	2 & 3
Daewoo	2 & 4	S&W Sigma	None
Desert Eagle	4	Sig 220/228/229	2 & 3
EAA A100	2	Sig 226	1
EAA A75	5	Sphinx	1, 3 & 4
EAA Witness	4 & 5	Star Firestar M43	1 & 3

Handgun	Shim #	Handgun	Shim #
Star Megastar	2	Taurus PT 908	1
Star 31 PK	1	Tanfoglio	1 & 2
Taurus 92/99/PT58	2 & 4		

Shims #1 through #4 are used to fit most popular semi-automatics. When you have a round shaped trigger you will have to break off the corner of the corresponding shim. Do not remove this corner when you have a square shaped trigger guard.

If your gun is not listed in the table, select shims that will be the right thickness to fit into the trigger guard mount.